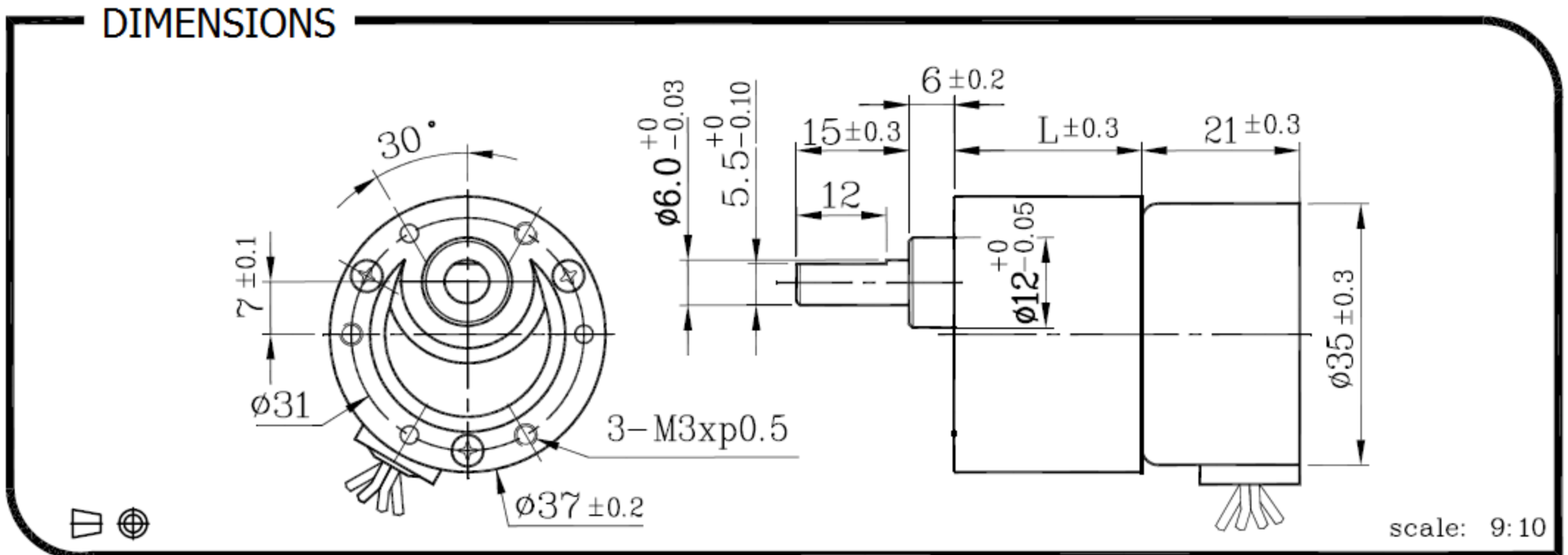


ST37-GM

Type 52

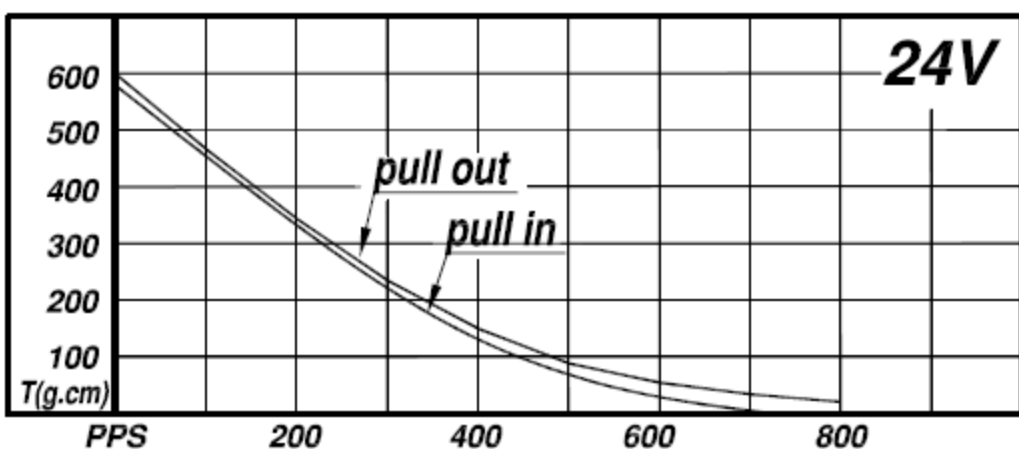
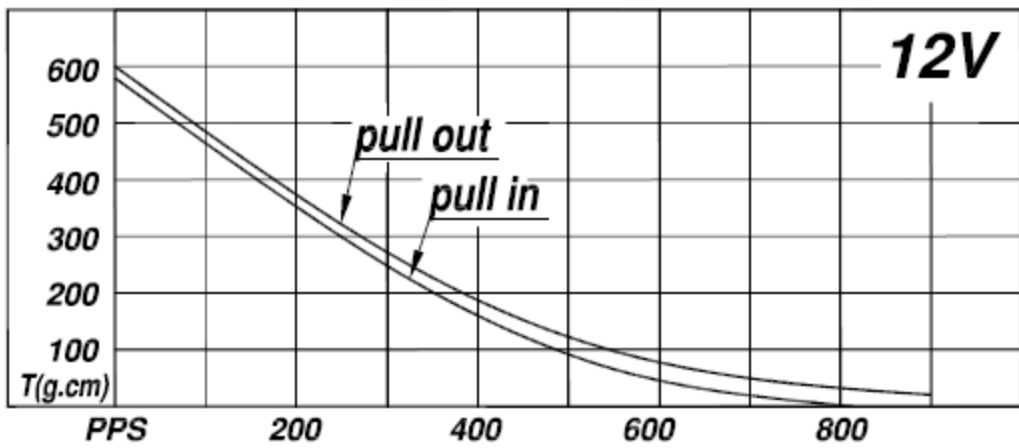
REDUCTION RATIO	L	REDUCTION RATIO	L
1/6~1/10	19.5	1/120~1/300	27.0
1/18~1/30	22.0	1/350~1/1000	29.5
1/36~1/100	24.5	1/1500~1/3000	32.0



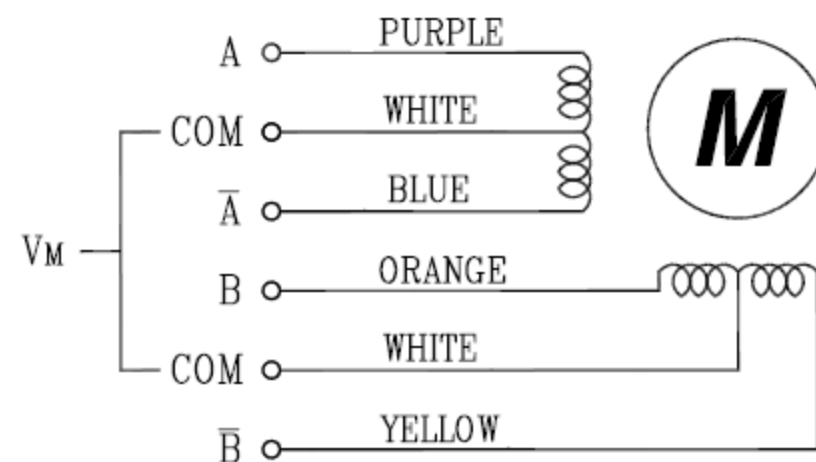
MOTOR DATA

Rated Voltage (V)	Winding Resistance (Ω)	Current Per Phase (mA)	Number of Phase	Drive System	Step Angle (DEG)	Holding Torque (g.cm)	Detent Torque (g.cm)	Max. Starting Frequency (PPS)	Max. Response Frequency (PPS)	Weight (g)
12	65	180	4	Unipolar	7.5°	550	≤ 150	800	900	77
24	120	200	4	Unipolar	7.5°	550	≤ 150	750	800	77

MOTOR CHARACTERISTICS



GEARED MOTOR WIRING DIAGRAM



	WIRE COLOR	1	2	3	4	5	6	7	8
A	PURPLE	-	-	-	-	-	-	-	-
Ā	BLUE	-	-	-	-	-	-	-	-
COM	WHITE	+	+	+	+	+	+	+	+
B	ORANGE	-	-	-	-	-	-	-	-
B̄	YELLOW	-	-	-	-	-	-	-	-